



COMPACT EXCAVATORS  
E62



# E62 – SPECIFICATIONS

## Weights

|  |           |
|--|-----------|
| Operating weight (MARK)                | 6130 kg   |
| Additional weight for steel tracks     | 30 kg     |
| Additional weight for long dipperstick | 23 kg     |
| Ground pressure with rubber tracks     | 34.40 kPa |

## Engine

|  |                        |
|--|------------------------|
| Make / model                               | Yanmar / 4TNV94L-ZXSDB |
| Fuel                                       | Diesel                 |
| Number of cylinders                        | 4                      |
| Displacement                               | 3054 cm <sup>3</sup>   |
| Maximum net torque at 1400 RPM (SAE J1995) | 206.0 Nm               |

## Performance

|  |          |
|--|----------|
| Digging force, dipperstick (ISO 6015)      | 29300 N  |
| Digging force, long dipperstick (ISO 6015) | 26200 N  |
| Digging force, bucket (ISO 6015)           | 44100 N  |
| Drawbar pull                               | 56000 N  |
| Travel speed, low range                    | 2.7 km/h |
| Travel speed, high range                   | 4.4 km/h |

## Hydraulic System

|   |  |
|---|--|
| Pump type                                     | One engine-driven tandem axial piston pump |
| Pump capacity                                 | 132.00 L/min                               |
| Auxiliary flow                                | 85.00 L/min                                |
| System relief pressure for auxiliary circuits | 210.00 bar                                 |

## Slew System

|                   |         |
|-------------------|---------|
| Boom swing, left  | 70°     |
| Boom swing, right | 50°     |
| Slew rate         | 9.6 RPM |

## Fluid Capacities

|                                    |          |
|------------------------------------|----------|
| Cooling system                     | 10.00 L  |
| Engine lubrication plus oil filter | 10.20 L  |
| Fuel reservoir                     | 78.00 L  |
| Hydraulic system                   | 111.00 L |

## Environmental

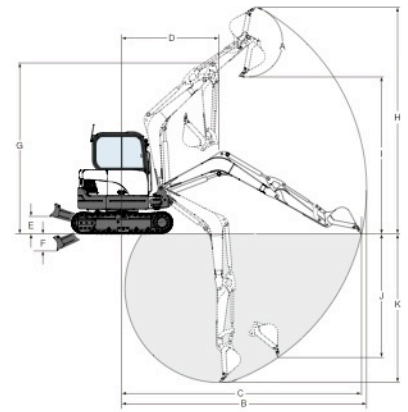
|  |                       |
|--|-----------------------|
| Noise level LpA(EU Directive 2000/14/EC) | 73 dB(A)              |
| Noise level LWA(EU Directive 2000/14/EC) | 97 dB(A)              |
| Whole body vibration (ISO 2631-1)        | 0.35 ms <sup>-2</sup> |
| Hand-arm vibration (ISO 5349-1)          | 0.94 ms <sup>-2</sup> |

## Standard Features

|  |  |
|--|--|
| 1980 mm dozer blade                                      | TOPS/ROPS cab <sup>1</sup>                               |
| 400 mm rubber track                                      | Boom & arm safety valves                                 |
| 5.7 inch LCD screen                                      | Harness for rotating beacon                              |
| Engine/hydraulic monitor with shutdown                   | Fully adjustable air conditioning                        |
| Fingertip auxiliary hydraulic control                    | Overload warning device                                  |
| Control console locks                                    | Sun visor  |
| Hydraulic joystick controls                              | Left rear view mirror                                    |
| Two-speed travel   | Electric refueling pump                                  |
| Lockable storage compartment                             | Auto idle  |
| Horn   | Auto shift travel  |
| Work lights  | Auxiliary hydraulics                                     |
| Retractable seat belt                                    | Auxiliary line on arm with quick couplers                |
| Suspension seat with high back                           | Second auxiliary hydraulic line (Rotation piping)        |
| Consoles with forwards/backwards adjustable displacement | Warranty: 12 months, 2000 hours (whichever occurs first) |

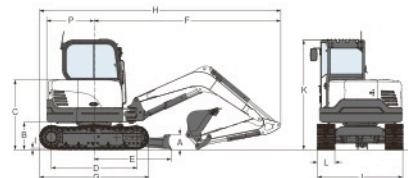
1. Tip Over Protective Structure (TOPS) – Meets requirements of ISO 12117

## Working Range



|      |           |      |           |
|------|-----------|------|-----------|
| (A)  | 179°      | (G)  | 4381.0 mm |
| (B)  | 6230.0 mm | (H)  | 5785.0 mm |
| (C)  | 6100.0 mm | (H*) | 6005.0 mm |
| (C*) | 6400.0 mm | (I)  | 4045.0 mm |
| (D)  | 2530.0 mm | (I*) | 4260.0 mm |
| (D*) | 2645.0 mm | (J)  | 3125.0 mm |
| (E)  | 460.0 mm  | (K)  | 3815.0 mm |
| (F)  | 440.0 mm  | (K*) | 4115.0 mm |

## Dimensions



|      |           |     |           |
|------|-----------|-----|-----------|
| (A)  | 410.0 mm  | (I) | 21.0 mm   |
| (B)  | 635.0 mm  | (J) | 1980.0 mm |
| (C)  | 1620.0 mm | (K) | 2550.0 mm |
| (D)  | 1990.0 mm | (L) | 400.0 mm  |
| (E)  | 1870.0 mm | (M) | 605.0 mm  |
| (F)  | 4400.0 mm | (N) | 829.0 mm  |
| (G)  | 2500.0 mm | (O) | 2530.0 mm |
| (H)  | 5670.0 mm | (P) | 1100.0 mm |
| (H*) | 5669.0 mm | (Q) | 2147.0 mm |

## Options

|                          |   |
|--------------------------|---|
| Steel tracks             | Third auxiliary hydraulic line (Clamshell Piping) |
| 2nd Auxiliary hydraulics | Long dipperstick                                  |



**Doosan Benelux S.A./N.V.**  
 Drève Richelle167  
 1410 Waterloo  
 Tel.: +32 2 371 68 11 Fax: +32 2 371 69 00



**Bobcat**®

[www.bobcat.eu](http://www.bobcat.eu)